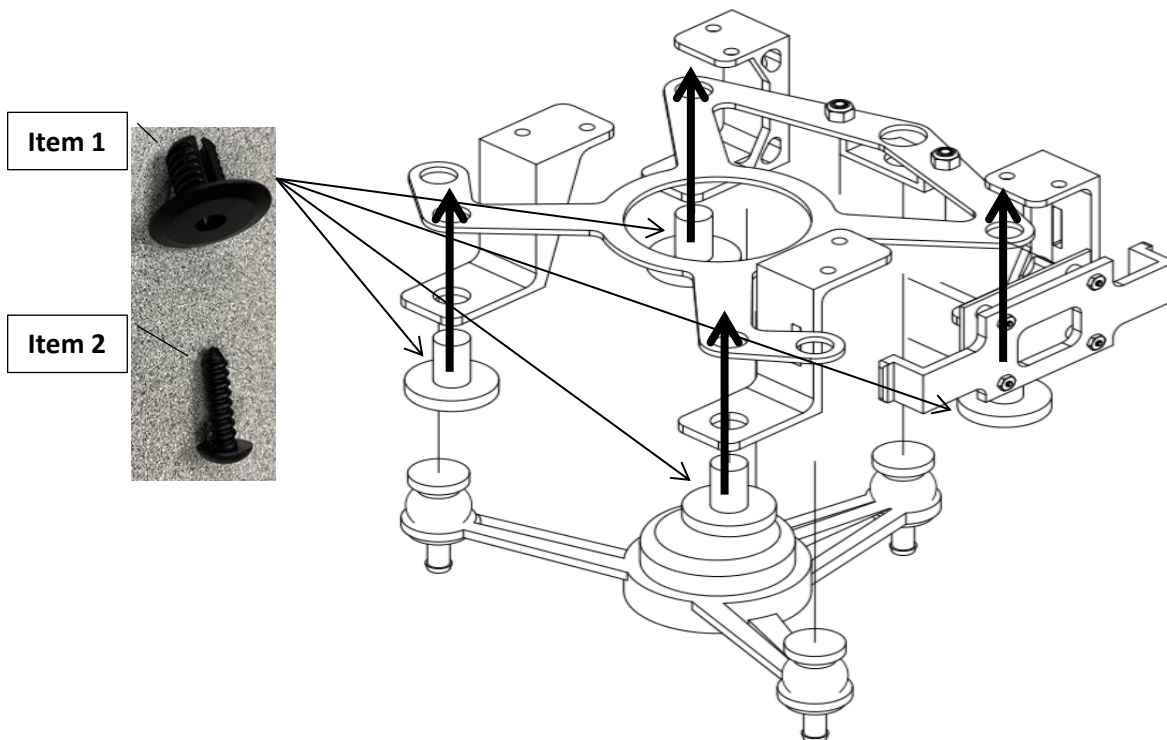


Installation Instructions

Model RPX8GMK301

Description "3 PT, GIMBAL PLATE, KIT"

- 1) Install control board mount onto the gimbal hangers with slots. Make sure the power leads are facing up, and the connector is facing out.
- 2) Install mount assembly using the press fit snap nuts (Item 1). **Note: The carbon fiber plate mounts on top of the gimbal hangars.**



- 3) Insert plastic screws (Item 2) into bottom of the press fit snap nut to secure carbon fiber plate.
- 4) Connect the 15-pin connector to the control board. The connector should clip into place.
- 5) Connect XT30 connector to gimbal power connector on drone.
- 6) Mount your camera onto the mount, ensuring payload security.