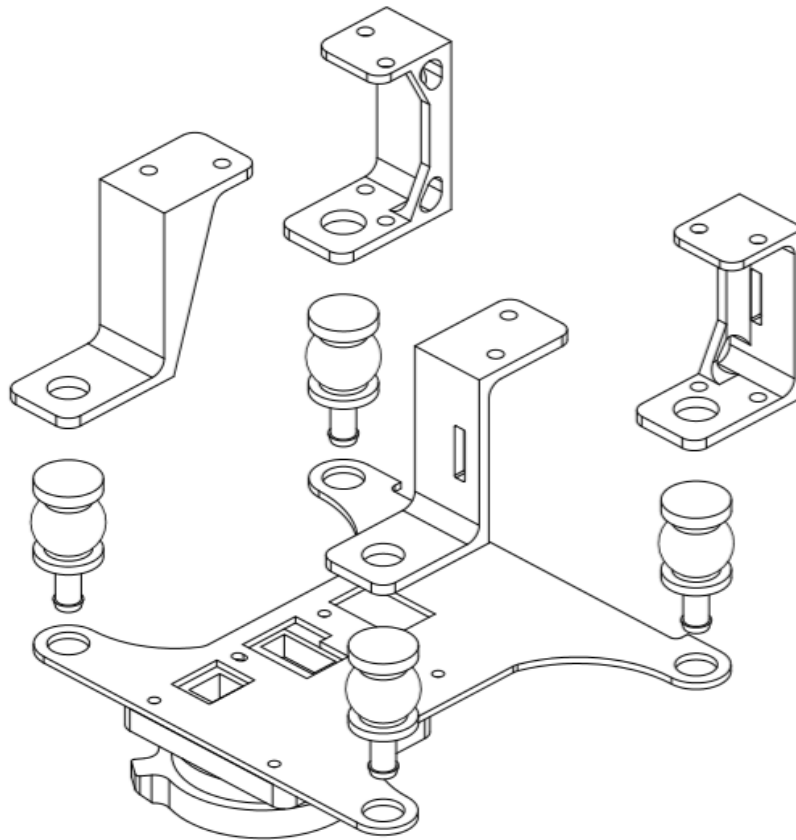


Installation Instructions

Model RPX8GMK401

Description "4 PT, GIMBAL PLATE, KIT"

- 1) Gently pinch the vibration dampeners to mount into the bottom of the vibration hangars



- 2) Connect the power adapter to the XT30 connector on the drone.
- 3) Connect cable from Lightbridge to the 7 pin connector on the camera mount.
- 4) Connect 4 pin cable from the drone to the camera mount.
- 5) Mount your camera to the camera mount.